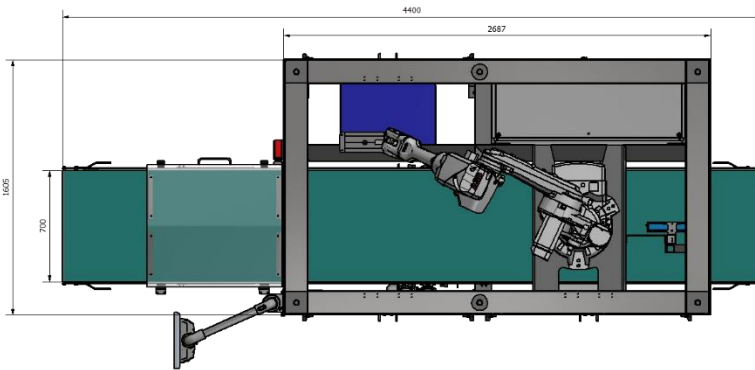


EP450

Robot cell for ultrasonic cutting of food.



Product information	
Capacity	20 cuts / min
Availability	95%
Material	Lacquered
Product	Customer spec.
Technical information	
Current	20A
Air	500 l / min
Width	4400 mm
Length	1700 mm
Height	2200 mm
Options	
PLC	Siemens
Food Classification	Selected zone
Service agreement	Annually
Distance Support	EvoConnected
Training	EvoTraining
Other products	Yes
Extra courses	Yes
Commissioning	Custom

Information:

EP450 is a robotic-based cutting equipment for food products. The robot cell locates the product using vision technology. The unit handles customer-specific products of several variants. The unit can be supplemented with tracks before and after according to the customer's specific needs.

More information:

www.evopack.se/project/ep450

www.youtube.com - Evomatic

www.evomatic.se



Complete solution



Customization



Distance Support



Always test driven