

DESCRIPTION

The EP111 is a completely independent robot cell that picks varying materials from a conveyor to a pallet with high precision and pace. The cell is fed pallets with a pallet magazine, supports interlayer handling and also plastic wrapping of pallets. The product is a standard equipment but has excellent opportunities for customization according to specific products or demanding needs.



VIEW FROM THE SIDE

PRODUCT SPECIFICATION

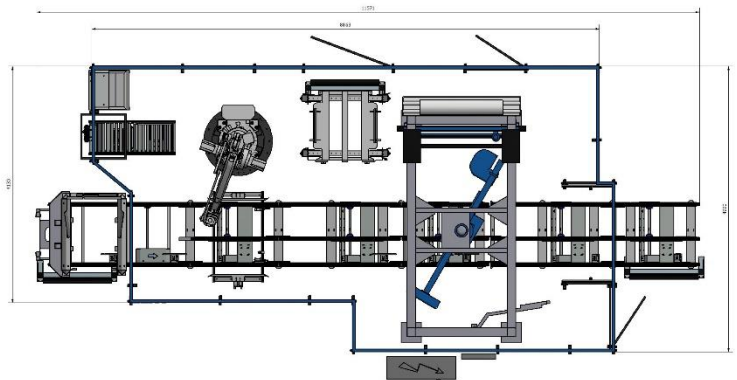
Capacity	< 12 picks/min
Availability	96%
Material	Lacquered
Flow management	ABB
Robot	ABB IRB460

OPTIONS

PLC	Siemens
Classification	Selected zone
Service agreement	Annually
Pallet type	Selectable
Wrapper	Selectable
Distance support	EvoConnected
Training	EvoTraining
Commissioning	Custom

TECHNICAL SPECIFICATION

Current	32 A
Air	500 L / min
Width	4 100 mm
Length	11 500 mm
Height	2 200 mm



VIEW FROM ABOVE

